

# WOMAN STOCKINGS PACKAGING

BAGGING MACHINE FOR STOCKINGS

SMARTBAG



## WOMAN STOCKINGS PACKAGING SMARTBAG

Automatic bagging machine for stockings, knee-highs and pantyhose.

The Smart Bag is a packaging machine to insert stockings, pantyhose, hold-ups and knee-highs into polypropylene bags made from pre-folded film, or folded on the machine by means of a specific device (optional).

It is possible to use external V, C or L-boards. The machine is available with manual loading or in-line with the SmartFold folding device.

# WOMAN STOCKINGS PACKAGING

## SMARTBAG

Specifications	Values
Dimensioni	2.500 x 3.155 x 1.800 (h)
Peso	1.400 Kg
Pressione aria	6 bar
Consumo aria	3,1 l/min
Potenza installata	3,5 kW
Tempo di ciclo min	3,8 Sec.
Produzione massima	79 Dz/hr
Dimensione. Min - max busta	110-185 x 160-245

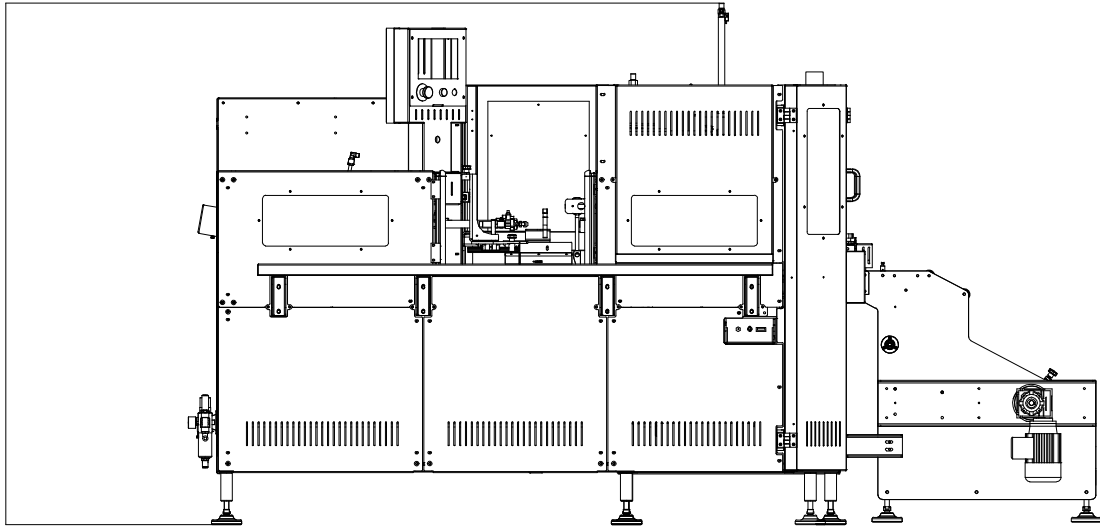
Features
Operating table to fold the product around the cardboard stiffener (manual loading version)
Complete with a trimming device for flap corners
Bag closing with label dispenser
Option for pre-printed labels or for thermal printer
PLC for the electronic control of all main functions
Possibility to set all working parameters for each individual item
The system has an automatic diagnostic program with error messages and alarms
Touch screen for all machine settings
Device for 3rd flap closing on V-board

Opzional
Triangle for the polypropylene film pre-folding
Mounting frame for the direct printer or for the label dispenser on the bags (front side)
Label dispenser (front side)
Thermal transfer printer for direct printing onto polypropylene
Heat stamping device with extractable fonts and ribbon

Tecnopea SmartBag can be connected to a machine for paper board envelopes (PBE) or to a shrink-wrap, or standard banding machine, for multiple bags.

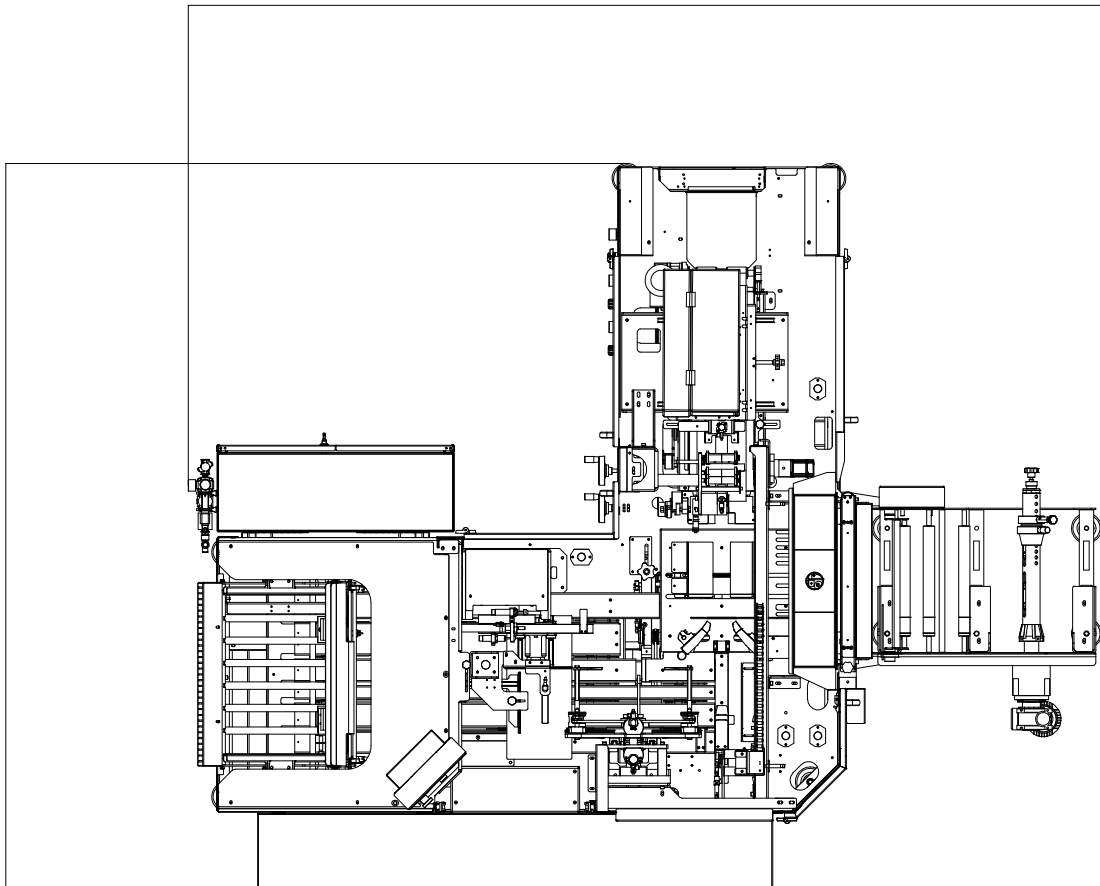
# WOMAN STOCKINGS PACKAGING SMARTBAG

1800  
5 FT 10 59/64 IN



3155  
10 FT 4 13/64 IN

2500  
8 FT 2 41/64 IN



# TECNOPEA



TECNOPEA S.R.L.

Via Don Eridano Torri, 2

25027 Quinzano d'Oglio, Brescia - Italy

Tel.: +39 030 992 3780 - Fax: +39 030 9923996

info@tecnopea.com - www.tecnopea.com