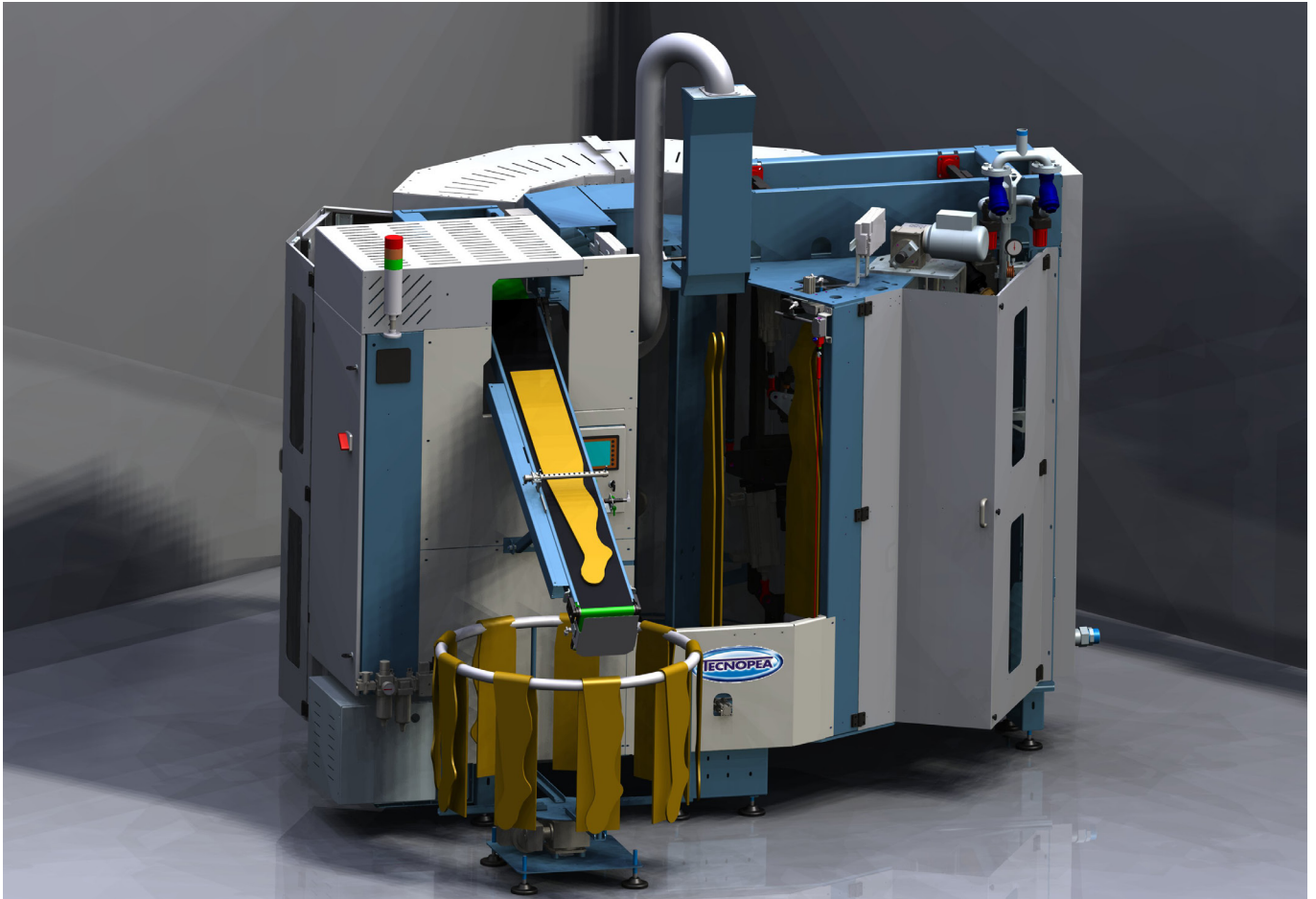


WOMAN STOCKINGS BOARDING

STEAM BOARDING MACHINE

SD12



WOMAN STOCKINGS BOARDING SD12

Automatic steam boarding machine for pantyhose, stockings and knee-highs on solid forms with straight or foot shape. SD12 is available with direct loading of boarding forms or with an optional robot to inspect the garments and load them on forms.

WOMAN STOCKINGS BOARDING

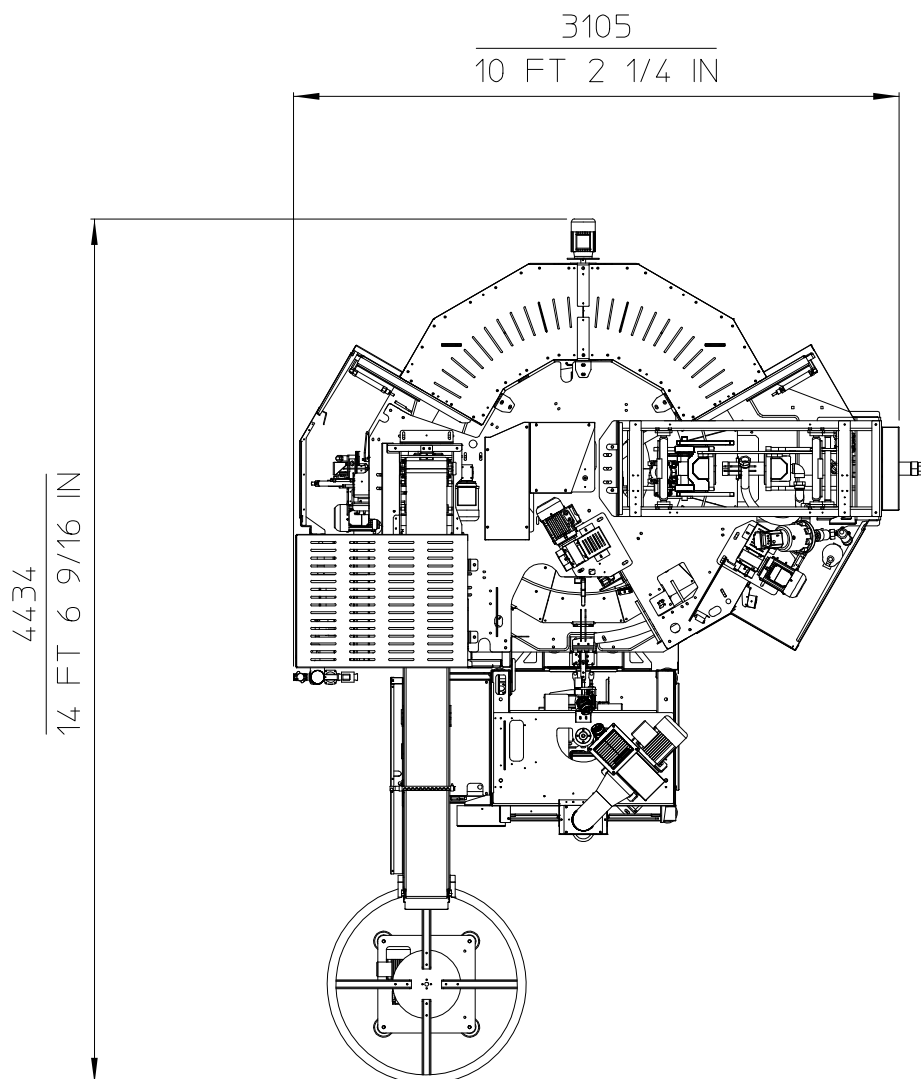
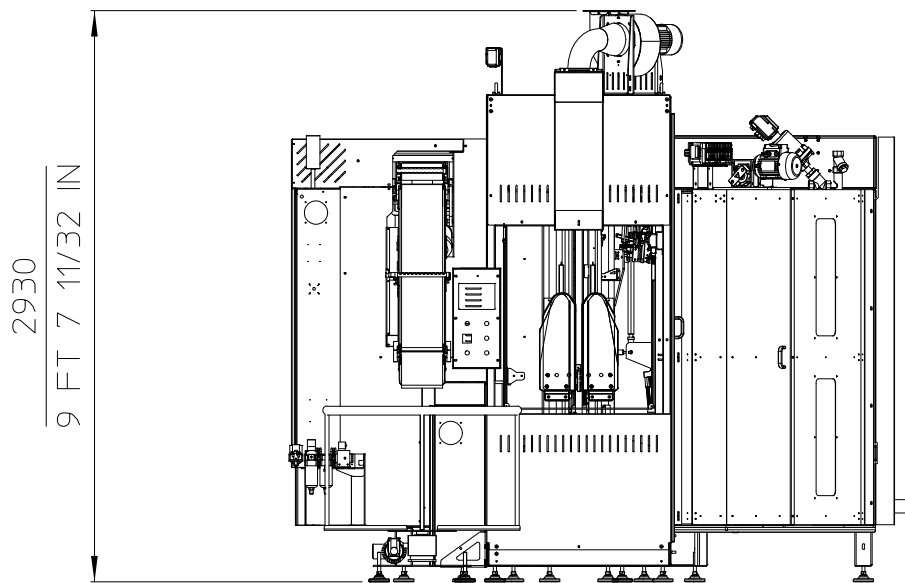
SD12

| Specifications | Standard | With robot |
|-----------------------|---|--|
| Dimensions | 4.434 x 3.105 x 3.041 (h) | 4.434 x 3.105 x 2.930 (h) |
| Weight | 3100 Kg | 3600 Kg |
| Air pressure | 6 bar | |
| Air consumption | 21 m ³ /h (349 NI/min) | 24 m ³ /h (399 NI/min) |
| Installed power | 23,5Kw (33,5 kW with extra capacity tunnel) | 26Kw (36 kW with extra capacity tunnel) |
| Min cycle | 6sec/paio | 7sec/pair |
| Max production | 50 dz/ora | 43 dz/hour |
| Drying max temperat. | 180°C (200°C with extra capacity tunnel) | 180°C (200°C with extra capacity tunnel) |
| Max steam pressure | 3 bar | 3 bar |
| Max steam consumption | 65 kg/h | 65 kg/h |

| Features |
|---|
| 12 pairs of straight or foot shape boarding forms |
| Automatic loading robot (optional) |
| Special tuck-in device for children and babies' pantyhose |
| Positioning device to correctly align the welts to the proper size |
| Steam chamber with electronic or manual pressure control up to 3 bar |
| Drying tunnel containing 5 pairs of forms with extra drying option for heavy products |
| Automatic stripping device with programmable stacking system on carousel and switch of faulty garments |
| PLC for the electronic control of all main functions of the boarding cycle |
| Electronic self-diagnosis with visualized errors or malfunctions |
| Touch screen display for the machine setting with the possibility to store in memory every single style |

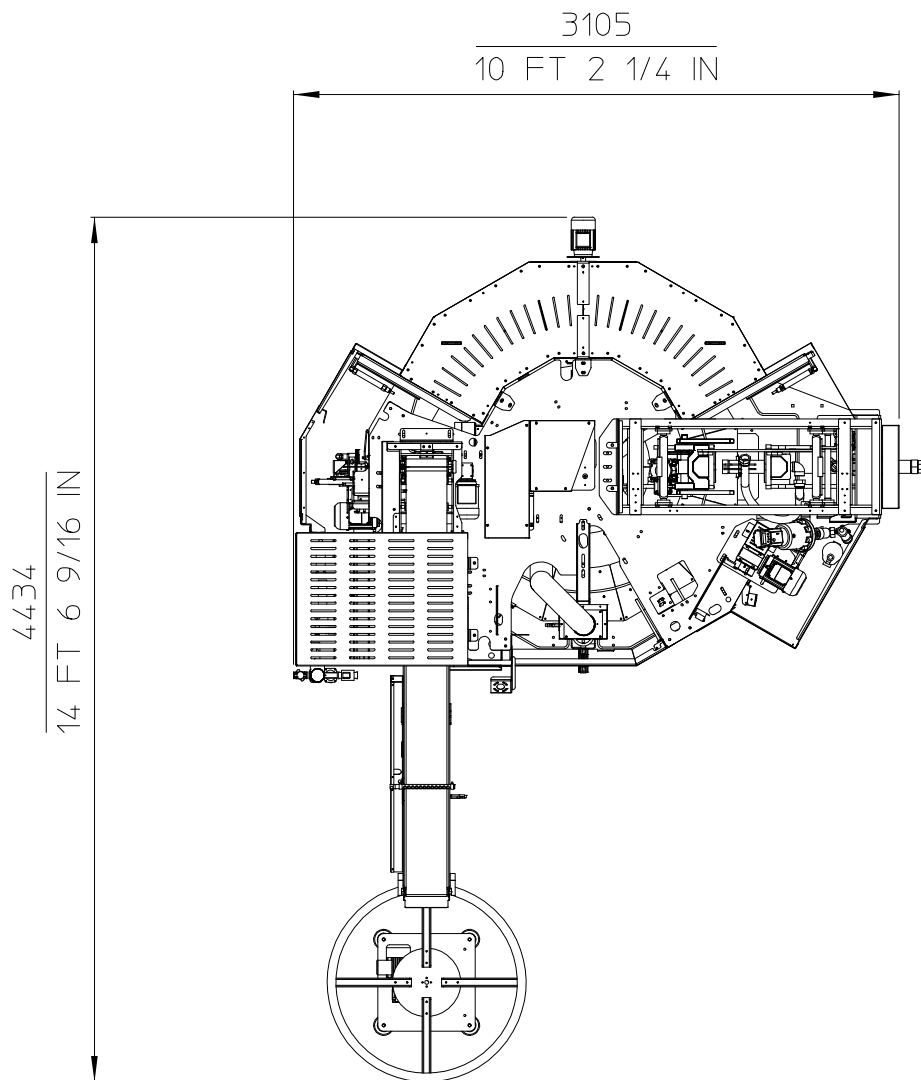
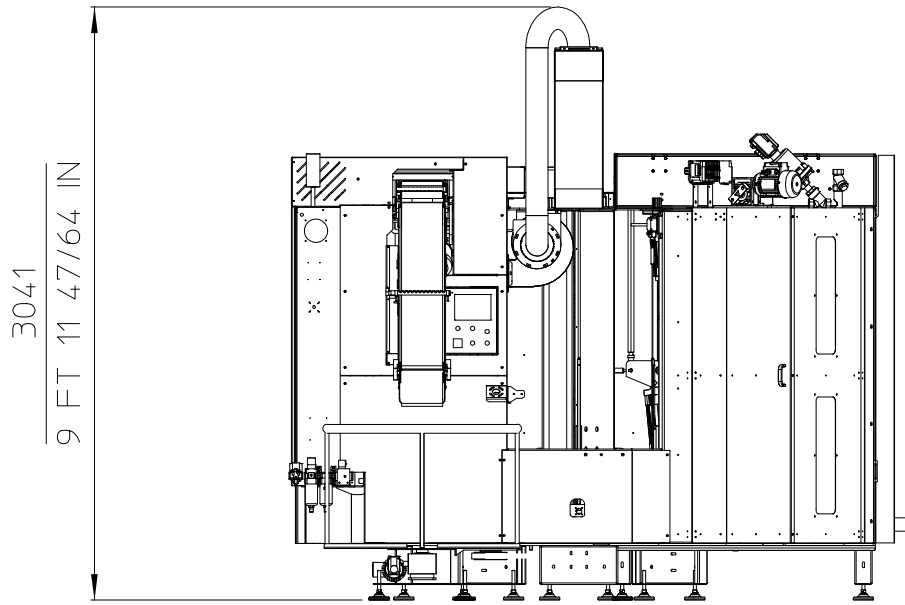
WOMAN STOCKINGS BOARDING

SD12



WOMAN STOCKINGS BOARDING

SD12



TECNOPEA



TECNOPEA S.R.L.

Via Don Eridano Torri, 2

25027 Quinzano d'Oglio, Brescia - Italy

Tel.: +39 030 992 3780 - Fax: +39 030 9923996

info@tecnopea.com - www.tecnopea.com