

SOCKS PACKAGING

AUTOMATIC L-BAR SEALER BAGGING UNIT SUITABLE FOR A WIDE RANGE OF PRODUCTS

L-SEALER



SOCKS BOARDING L-SEALER

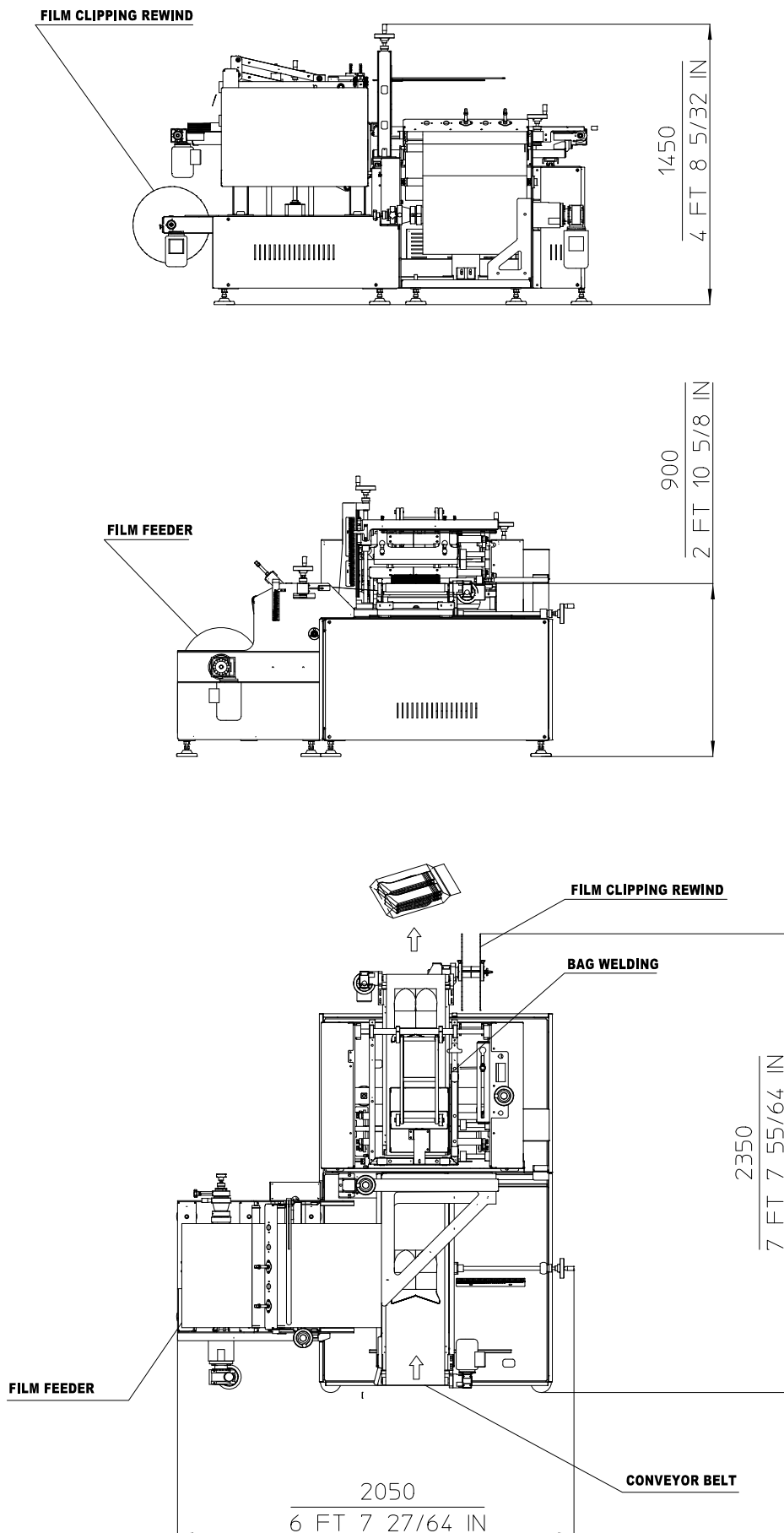
Automatic L-bar sealer bagging unit suitable for a wide range of products.
This machine can be connected to an automatic line or manually fed.

SOCKS BOARDING L-SEALER

Specifications	Values
Air pressure	6 bar
Air consumption	4,5 m ³
Installed power	4,2 kW
Absorbed power	2,2 kW
Min bag size	80 x120 mm
A max bag size	250 x 500 mm
Bag heighth	Up to 250 mm

Features
Automatic sealing bar height control
Center seal - automatically centers the seal mid-way between the top and the bottom of the package
Creating bags from a Polyolefin or Polyethylene film
PTFE coated sealing bar
PLC to control of all main functions
User friendly LCD control panel
Single and multi-pack mode
Adjustable conveyor speed

SOCKS BOARDING L-SEALER



TECNOPEA



TECNOPEA S.R.L.

Via Don Eridano Torri, 2

25027 Quinzano d'Oglio, Brescia - Italy

Tel.: +39 030 992 3780 - Fax: +39 030 9923996

info@tecnopea.com - www.tecnopea.com